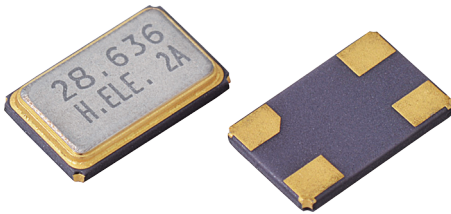


# CRYSTAL RESONATOR

## Seam Sealed Ceramic Package

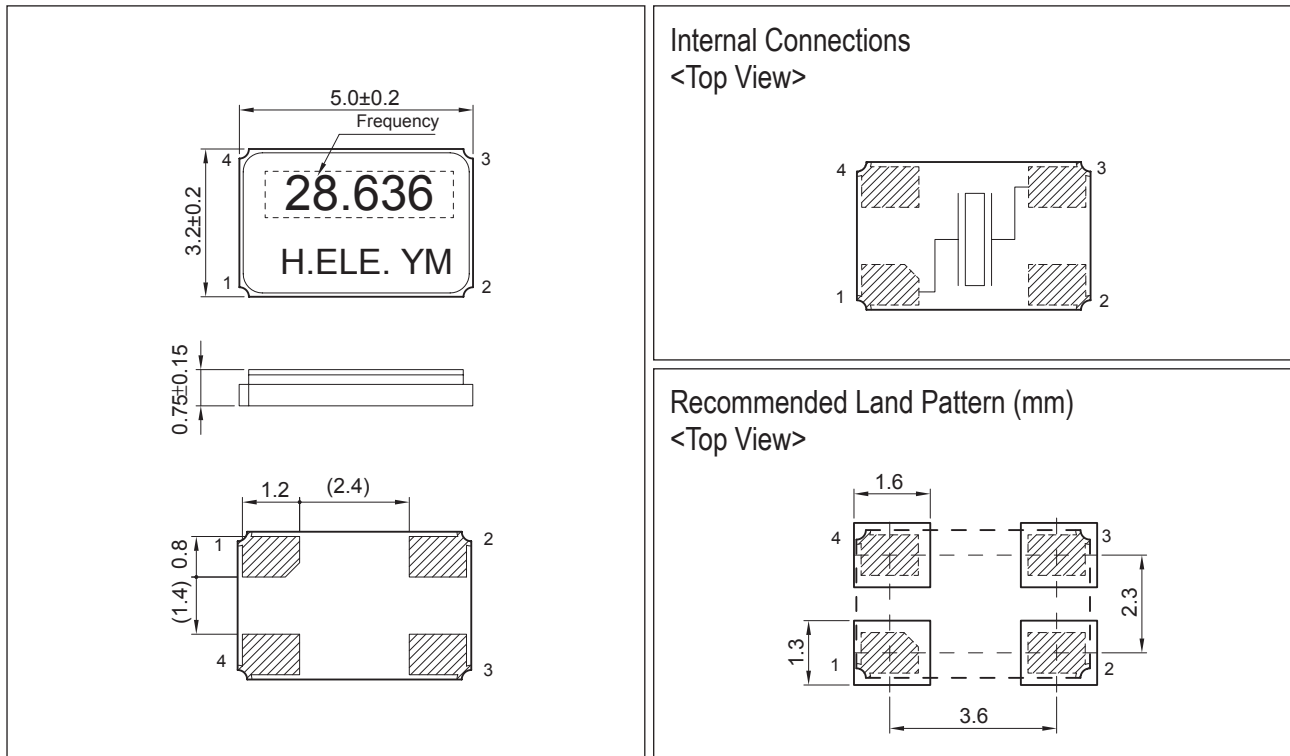
### HSX531S Series



#### Features:

- High precision and reliability with excellent heat resistance.
- Suitable for various applications.
- Ideal solution for networking design less sensitive to space constraints and purchasing strategies looking to switch to a more mainstream industry package size.

#### Dimension (mm):



#### Standard Specification:

ITEM	TYPE	HSX531S			
		8 ~ 10 MHz	10 ~ 12 MHz	12 ~ 40 MHz	40 ~ 80 MHz
Frequency Range		8 ~ 10 MHz	10 ~ 12 MHz	12 ~ 40 MHz	40 ~ 80 MHz
Mode		Fundamental		3rd Overtone	
Frequency Tolerance		±10ppm, ±20ppm, or Specify			
Frequency Stability over Operating Temperature Range		±10ppm, ±15ppm, ±20ppm, or Specify			
Operating Temperature		-10 ~ +60 °C , or Specify			
Load Capacitance		Series, 8pF, 10pF, 12pF, 16pF or Specify			
Drive Level		10μW (300μW Max.)			
Equivalent Series Resistance		150Ω Max.	80Ω Max.	50Ω Max.	70Ω Max.
Storage Temp. Range		-40 ~ +125°C			

\*Packing Unit: 1,000pcs/Reel.